

GLOBE VALVE - SHORT STEM

Referência: CSU 4 / CRU 5 / CSF 16 / CRF 17

Serie: C10102 (K.L.M.N.O.)

APPLICATIONS Cryogenic Liquids, LNG, Liquefied Gases

Liquid and gas phases

Working Temperature Maximum +160° C Minimum -212°

Maximum Working pressure 50 Bar Hydrostatic Test 75 bar

Standards Applied: Cryogenic Bronze - ASTM UNS C93700, Valves and components provided cleaned for use in oxygen, according to ASTM CGA G4.1



DIMENSIONAL TABLE (K. M.)												
DN	MM	6	10	15	20	25	32	40	50	65	80	100
	Pol.	1/4"	3/8"	1/2"	3/4"	1"	1.1/4"	1.1/2"	2"	2.1/2"	3"	4"
CODE		01	02	03	04	05	06	07	08	09	10	11
A		70	70	82	97	108	128	140	167	185	240	278
B		8	8	10	10	11	13	16	17	20	21	23
C		9.7	12.8	16.0	22.4	28.7	35.0	41.4	54.2	66.8	79.5	104.9
D (Open)		367	367	367	379	379	444	444	456	562	576	685
E (Closed)		352	352	352	359	367	424	427	516	516	516	580
F		310.5	310.5	310.5	325	325	362	362	374	449	463	510
Ø Handwheel		90	90	90	90	110	110	110	110	250	250	300
Weight (Kg)		1.30	1.30	1.40	2.50	2.80	4.80	5.0	7.30	13.50	16.30	29.20
CV (gal/Min)		2.24	2.96	3.99	7.04	11.37	16.99	23.90	41.60	64.40	92.48	164.00

CONNECTION TABLE (L. N.)		
DESCRIPTION	CODE	STANDARD
Thread NPT	01	AISI B1.20
Thread BSP	02	AISI BESEN10226-1
Copper Tube Connection	03	AISI B16.18
Butt Weld Schedule 10, 50 mm	06	AISI B36.19
Butt Weld Schedule 10, 100 mm	07	
Butt Weld Schedule 40, 50 mm	08	
Butt Weld Schedule 40, 100 mm	09	

CRU4 CRU5

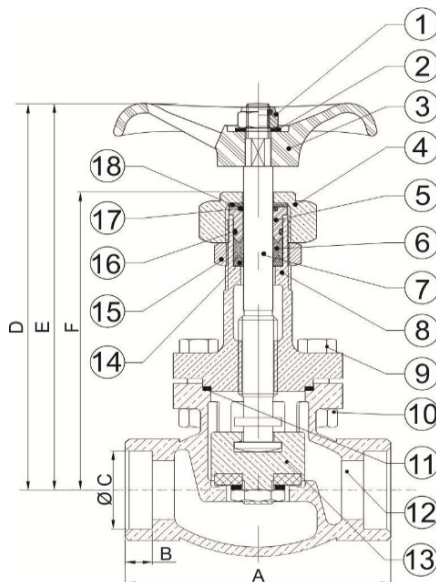
CSF16 CRF17



SEAL TABLE (O.)		
DESCRIPTION	CODE	STANDARD
PTFE +25% Fiber Glass	04	N/A
PTFE +25% Carbon	05	N/A

OPTIONAL TABLE		
DESCRIPTION	CODE	STANDARD
Elongated Stem	001	MSS SP-134
Butt Weld	002	ASME B16.25
"C" quote	003	N/A
Nickel Application	004	

Other connection are available



POS.	DENOMINAC	MATERIAL
1	HEX NUT	BRASS UNS 26800
2	WASHER	STAINLESS AISI 304
3	HANDWHEEL	ALLUMINIUM SAE
4	PREMI GASKET NUT	BRASS UNS C36000
5	PREMI GASKET	BRASS UNS C36000
6	GASKET	PTFE ASTM D-1430-
7	STEM	STAINLESS AISI 304
8	UPPER HEAD	ASSEMBLES GROUP
9	HEX SCREW	STAINLESS AISI 304
10	HEX NUT	BRASS ASTM B-283
11	GARNISH	PTFE ASTM D-1430-
12	BODY	BRONZE UNS C93700
13	SEAL	BRONZE UNS C93700
14	WASHER PREMI	BRASS UNS C36000
15	LOCK NUT	STAINLESS AISI 304
16	O'RING	FKM
17	O'RING	FKM
18	PRESSURE DISC	BRASS UNS C36000

Tables according to Grofe's Standards. For special products, contact us.