

CRYOGENIC GLOBE VALVE FOR PORTABLE CONTAINERS AND PANELS

Reference LC 75

Série: 10111 (K.L.M.N.O.)

Applications: Cryogenic Liquids, LNG, Liquefied Gases, Corrosive Gases.

Phase: Liquid and Gas

Working Temperature Maximum +160° C Minimum -196° C

Working Pressure 50 Bar **Hydrostatic Test** 75 bar

Standards Applied Standards Applied: Brass UNS 36000, valves and components provided cleaned for use in oxygen according to ASTM CGA G4.1



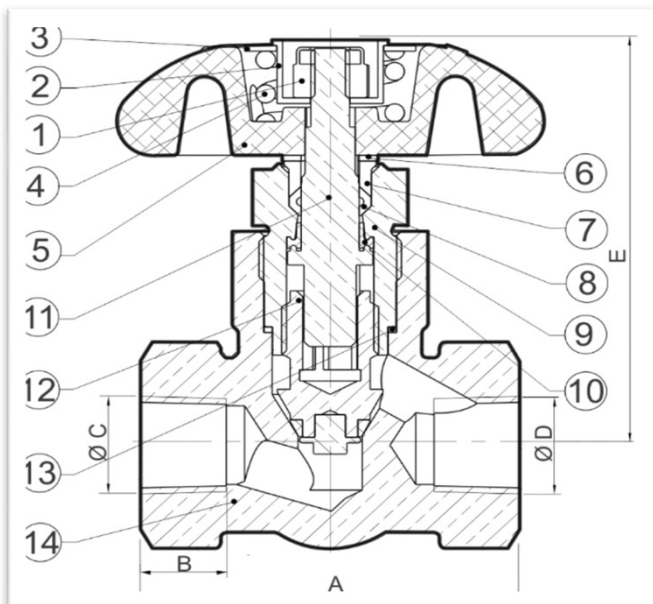
DIMENSIONAL TABLE (K. M.)				
DN	MM	6	10	15
	Pol.	1/4"	3/8"	1/2"
Code		01	02	03
A		63	63	63
B		12	14	17
ØC		1/4"	3/8"	1/2"
ØD		1/4"	3/8"	1/2"
E		72,5	72,5	72,5
Ø Handwheel		70	70	70
Weight(Kg)		0,686	0,686	0,686
CV (gal/Min)		0,79	1,54	1,52

SEAL TABLE (O.)		
Description	Code	Standard
PCTFE	02	ASTM D4894

Connection Table (L. N.)		
Descrição	Código	Standard
NPT Threaded Connection	01	AISI B1.20
BSP Threaded Connection	02	AISI BESEN10226-1
Cooper Tube Fitting Connection	03	AISI B16.18
Stub Schedule 10, 50 mm	06	AISI B36.19
Stub Schedule 10, 100 mm	07	
Stub Schedule 40, 50 mm	08	
Stub Schedule 40, 100 mm	09	

Optional Table		
Descrição	Cod.	Norma
Elongated Stem	001	MSS SP-134
Butt Weld	002	ASME B16.25
"C" Cote	003	N/A
Nickel Application	004	

other connection are available



POS.	DESCRIPTION	MATERIAL
1	HEX NUT - SELF LOCKING	STAINLESS STEEL AISI 304
2	SPRING GUIDE	BRASS UNS C36000
3	SUPPORTING DISK	BRASS UNS C36000
4	SPRING	STAINLESS STEEL AISI 304
5	HANWHEEL	ALUMINIUM SAE 323/329
6	GARNISH	PTFE ASTM D-4894
7	PREME GASKET	BRASS UNS C36000
8	UPPER GASKET	PTFE ASTM D-4894
9	UPPER HEAD	BRASS UNS C36000
10	STEM GASKET	PTFE ASTM D-4894
11	STEM GASKET	BRASS UNS C36000
12	MOUNTED GROUP	ACCORDING TO SEAL SPECS
13	BODY GARNISH	COPPER C110
14	BODY	BRASS UNS C36000

Standard products table. For more information or customized specs, please contact

Since 1958

GROFE CRYOGENIC VALVES