

## GATE VALVE SHORT STEM

Reference: GCS 28 / GCR 29

Serie: C10104 (K.L.M.N.O.)

### APPLICATIONS

Cryogenic Liquids, LNG, Liquefied Gases

Phase: Gas

Working Temperature

Maximum +160° C Minimum -212°

Maximum Working Pressure

50 Bar

Hydrostatic Test

75Bar

Standards Applied Cryogenic Bronze - ASTM UNS C93700, Valves and

components provided cleaned for use in oxygen, according to ASTM CGA G4.1



DIMENSIONAL TABLE ( K. M. )

DN	MM	15	20	25	32	40	50	65	80	100
	Pol.	1/2"	3/4"	1"	1.1/4"	1.1/2"	2"	2.1/2"	3"	4"
CODE		<b>03</b>	<b>04</b>	<b>05</b>	<b>06</b>	<b>07</b>	<b>08</b>	<b>09</b>	<b>10</b>	<b>11</b>
A		80	80	90	110	110	117	175	177	177
B		10	10	11	13	16	17	20	21	23
C		21,8	27,2	34,3	42,7	48,9	61,2	74	90	115,6
D (Open)		139	139	164	180	189	193	307	300	395
E (Closed)		178,5	178,5	215	238	241	246	381	387	485
F		195,5	195,5	239	280	281	297	446	461	583
Ø Handwheel		89	89	118	118	118	118	200	200	250
Weight (Kg)		2,2	2,2	3,5	4,5	5,0	6,8	11,8	15,6	23,5
CV (gal/Min)		-	-	115	122	130	180	352	392	408

CONNECTION TABLE ( L. N )

Description	Code	Standard
Thread NPT	<b>01</b>	AISI B1.20
Thread BSP	<b>02</b>	AISI BESEN10226-1
Copper Tube Connection	<b>03</b>	AISI B16.18
Butt Weld Schedule 10, 50 mm	<b>06</b>	AISI B36.19
Butt Weld Schedule 10, 100 mm	<b>07</b>	
Butt Weld Schedule 40, 50 mm	<b>08</b>	
Butt Weld Schedule 40, 100 mm	<b>09</b>	

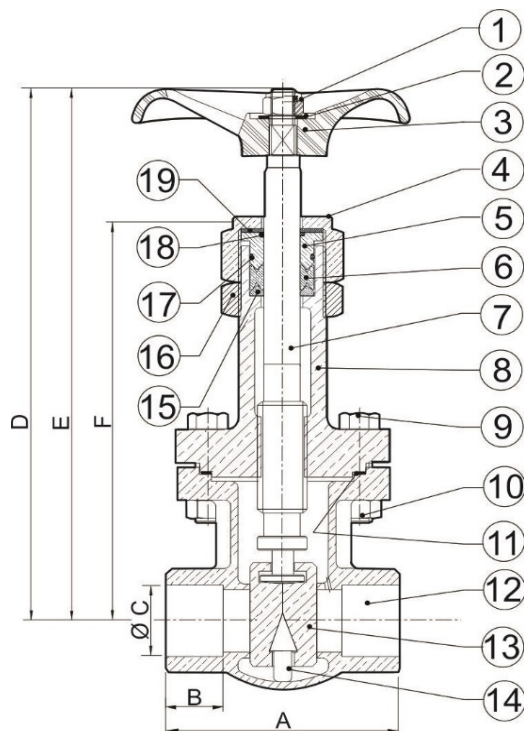
SEAL TABLE ( O )

Description	Code	Standard
PTFE	<b>01</b>	ASTM D4894
PCTFE	<b>02</b>	ASTM D1430
PTFE + 25% Fiber Glass	<b>04</b>	ASTM D4745
PTFE + 25% Carbon	<b>05</b>	

TABELA DE OPCIONAIS

Description	Code	Standard
Elongated Stem	<b>001</b>	MSS SP-134

Other connection are available



POS.	DENOMINAÇÃO	MATERIAL
1	HEX NUT	BRASS UNS 26800
2	WASHER	STAINLESS STEEL AISI
3	HANDWHEEL	ALUMÍNIO SAE 306
4	PREMI GASKET NUT	LATÃO UNS C36000
5	PREMI GASKET NUT	LATÃO UNS C36000
6	GASKET	PTFE ASTM D-1430-03
7	STEM	STAINLESS STEEL AISI
8	UPPER HEAD	ACC. DRAWING
9	HEX SCREW	STAINLESS STEEL AISI
10	HEX NUT	LATÃO ASTM B-283
11	GARNISH	PTFE ASTM D-1430-03
12	BODY	BRONZE UNS C93700
13	SEAL	ACC. DRAWING
14	WEDGE	BRASS UNS C36000
15	PREMI WASHER	BRASS UNS C36000
16	LOCK NUT	BRASS UNS C36000
17	O'RING	FKM
18	O'RING	FKM
19	PRESSURE DISC	BRASS UNS C36000

Tables according to Grofe's standards. For special product, contact us.