

GATE VALVE LONG STEM

Reference: GLS 25 / GLR26

Serie: C10103 (K.L.M.N.O.)

APPLICATIONS

Cryogenic Liquids, LNG, Liquefied Gases

Phase: Liquid and Gas

Working Temperature

Maximum +160° C Minimum -212°

Maximum Working Pressure

50 Bar

Hydrostatic Test

75Bar

Standards Applied Cryogenic Bronze - ASTM UNS C93700, Valves and

components provided cleaned for use in oxygen, according to ASTM CGA G4.1

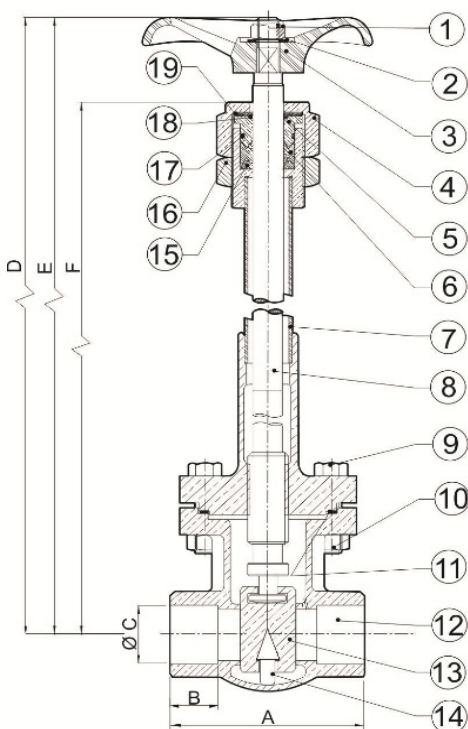


DIMENSIONAL TABLE (K. M.)										
DN	MM	15	20	25	32	40	50	65	80	100
	Pol.	1/2"	3/4"	1"	1.1/4"	1.1/2"	2"	2.1/2"	3"	4"
CODE		03	04	05	06	07	08	09	10	11
A		80	80	90	110	110	117	175	177	177
B		10	10	11	13	16	17	20	21	23
C		21,8	27,2	34,3	42,7	48,9	61,2	74	90	115,6
D (Open)		334	334	417	379	338	392	452	475	533
E (Closed)		364	364	417	443	446	456	531	537	605
F		381	381	441	485	486	502	596	610	703
Ø Handwheel		89	89	118	118	118	118	200	200	250
Weight (Kg)		2,6	2,6	3,8	4,8	5,3	7,2	12,2	16,2	25,0
CV (gal/Min)		-	-	115	122	130	180	352	392	408

CONNECTION TABLE (L. N)		
Description	Code	Standard
Thread NPT	01	AISI B1.20
Thread BSP	02	AISI BESEN10226-1
Copper Tube Connection	03	AISI B16.18
Butt Weld Schedule 10, 50 mm	06	AISI B36.19
Butt Weld Schedule 10, 100 mm	07	
Butt Weld Schedule 40, 50 mm	08	
Butt Weld Schedule 40, 100 mm	09	

SEAL TABLE (O)		
Description	Code	Standard
PTFE	01	ASTM D4894
PCTFE	02	ASTM D1430
PTFE + 25% Fiber Glass	04	ASTM D4745
PTFE + 25% Carbon	05	

TABELA DE OPCIONAIS		
Description	Code	Standard
Elongated Stem	001	MSS SP-134
Butt Weld	002	ASME B16.25
"C" Cote	003	N/A
Nickel Application	004	
Other connection are available		



POS.	DENOMINAÇÃO	MATERIAL
1	HEX NUT	BRASS UNS 26800
2	WASHER	STAINLESS STEEL AISI
3	HANDWHEEL	ALUMINIO SAE 306
4	PREMI GASKET NUT	LATÃO UNS C36000
5	PREMI GASKET NUT	LATÃO UNS C36000
6	GASKET	PTFE ASTM D-1430-03
7	STEM	STAINLESS STEEL AISI
8	UPPER HEAD	ACC. DRAWING
9	HEX SCREW	STAINLESS STEEL AISI
10	HEX NUT	LATÃO ASTM B-283
11	GARNISH	PTFE ASTM D-1430-03
12	BODY	BRONZE UNS C93700
13	SEAL	ACC. DRAWING
14	WEDGE	BRASS UNS C36000
15	PREMI WASHER	BRASS UNS C36000
16	LOCK NUT	BRASS UNS C36000
17	O'RING	FKM
18	O'RING	FKM
19	PRESSURE DISC	BRASS UNS C36000

Tables according to Grofe's standards. For special product, contact us.