

GLOBE VALVE - SHORT STEM FLANGED

Reference: CFU 6 CFF 18

Serie: C10121 (K.L.M.N.O.)

APPLICATIONS Cryogenic Liquids, LNG, Liquefied Gases

Phase Gas

Working Temperature Maximum +160° C Minimum -212°

Maximum Working pressure 50 Bar **Hydrostatic Test** 75 bar

Standards Applied: Cryogenic Bronze - ASTM UNS C93700, Valves and components provided cleaned for use in oxygen, according to ASTM CGA G4.1



DIMENSIONAL TABLE (K. M.)

Flange Class 150 LBS										
DN	mm	15	20	25	40	50	65	80	100	150
	Pol.	1/2"	3/4"	1"	1.1/2"	2"	2.1/2"	3"	4"	6"
CODE		03	04	05	07	08	09	10	11	12
A		108	111,5	127	165	203,2	216,5	241,3	292	406,4
B		11,1	12,7	14,3	17,5	19	22,2	23,8	23,8	254
C		88,9	98,5	108	127	152,4	177,8	190,5	228,6	279,4
D		60,3	69,9	79,4	98,4	120,6	139,7	152,4	190,5	241,3
E		5/8"	5/8"	5/8"	5/8"	3/4"	3/4"	3/4"	3/4"	7/8"
F		113	129,5	129,5	162	177	305	305	365	572
G (Open)		163,5	179	179	225	241	417	450	540	774
H (Closed)		149	161	167	205	212	372	372	434	680
J (Handwheel)		80	106,5	106,5	106,5	106,5	200	200	250	700
Weight (kg)		2,1	3,4	4,6	7,7	12,4	22,0	25,2	37,7	111,4
Cv (gal/min)		3,99	7,04	11,4	23,9	41,6	64,4	92,48	164,00	369,00

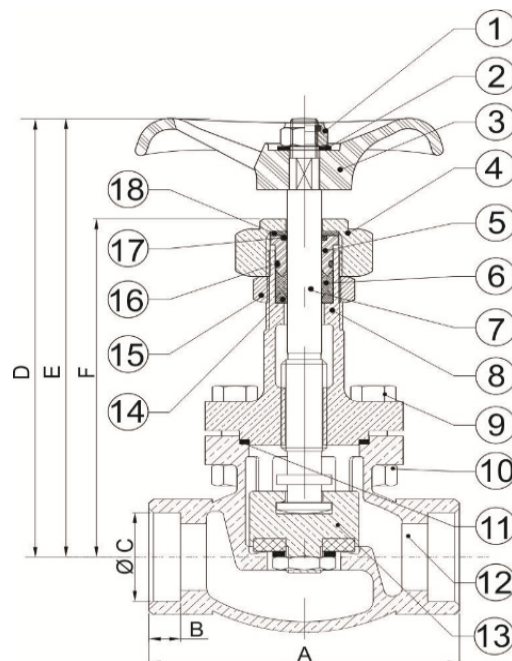
Flange Classe 300 LBS										
DN	mm	15	20	25	40	50	65	80	100	150
	pol.	1/2"	3/4"	1"	1.1/2"	2"	2.1/2"	3"	4"	6"
Código		03	04	05	07	08	09	10	11	12
A		152	177,8	203,2	228,6	266,7	292	317,5	355,6	444,5
B		14,3	15,9	17,5	20,6	22,2	25,4	28,6	31,8	36,5
C		95,2	117,5	123,8	155,6	165,1	190,5	209,5	254	317,5
D		60,3	82,5	88,9	114,3	127	149,2	168,3	200	269,9
E		5/8"	3/4	3/4"	7/8"	3/4"	7/8"	7/8"	7/8"	7/8"
F		113	129,5	129,5	162	177	305	319	365	572
G (Open)		163,5	179	179	225	241	417	433	540	774
H (Closed)		149	161	167	205	212	372	372	434	690
J (Handwheel)		80	106,5	106,5	106,5	106,5	200	200	250	700
Weight (kg)		2,8	4,8	6,1	10,5	14,4	25,0	31,7	51,5	133,2
Cv (gal/min)		3,99	7,04	11,37	23,9	41,60	64,4	92,48	164,00	369,00

Flange Classe 600 LBS		
DN	mm	150
	pol	6"
Código		12
A		558
B		53,95
C		355,6
D		292,1
E		1,18/"
F		572
G (Open)		774
H (Closed)		690
J (Handwheel)		80
Weight (kg)		147,7
Cv (gal/min)		3,99

Connection Table (L. N.)		
Flanges LBS	Code	Standard
150 FLAT	12	ANSI B16 ANSIB16.10 MSS-SP - 80
150 FLAT CAM	13	
150 CAM AND CONCENTRIC SLOT	33	
150 FLAT CONCENTRIC SLOT	34	
300 FLAT	14	
300 FLAT CAM	15	
300 CAM AND CONCENTRIC SLOT	35	
300 FLAT CONCENTRIC SLOT	36	
600 FLAT	16	
600 FLAT CAM	17	
600 CAM AND CONCENTRIC SLOT	37	
600 FLAT CONCENTRIC SLOT	38	

Seal Table (O.)		
Description	Cod.	Norma
PTFE + 25% FIBER GLASS	4	N/A
PTFE + 25% CARBON	5	

Position	Description	Material
1	HEX NUT	BRASS UNS 26800
2	WASHER	STAINLESS AISI 304
3	HANDWHEEL	ALLUMINIUM SAE 306
4	PREMI NUT	BRASS UNS C36000
5	PREMI GASKET	BRASS UNS C36000
6	GASKET	PTFE ASTM D-1430-03
7	STEM	STAINLESS AISI 304
8	HEAD	ACCORDING TO SPECS
9	HEX SCREW	STAINLESS AISI 304
10	HEX NUT	BRASS ASTM B-283
11	GARNISH	PTFE ASTM D-1430-03
12	BODY	BRONZE UNS C93700
13	SEAL	ACCORDING TO SPECS
14	WASHER	BRASS UNS C36000
15	NUT COUNT	BRASS UNS C36000
16	O'RING	FKM
17	O'RING	FKM
18	PRESSURE DISC	BRASS UNS C36000



Tables according to Grofe's Standards. For special products, contact us.