

## GLOBE VALVE LONG STEM FLANGED

Reference: LFU 3 LFF 15

Serie: 10120 (K.L.M.N.O.)

**Applications** Cryogenic Liquids, LNG, Liquefied Gases

**Phase:** Liquid and Gas

**Working Temperature:** Maximum = +160° C / Minimum = -212°C

**Working Pressure:** 50 Bar **Hydrostatic Test:** 75 Bar

**Standards Applied:** Cryogenic Bronze ASTM 93700, Valves and components

provided cleaned for use in oxygen according to ASTM CGA G4.1



		150 LBS CLASS FLANGE									
DN	pol.	15	20	25	40	50	65	80	100	150	
	mm	1/2"	3/4"	1"	1.1/2"	2"	2.1/2"	3"	4"	6"	
Code		03	04	05	07	08	09	10	11	12	
A		108	111,5	127	165	203,2	216,5	241,3	292	406,4	
B		11,1	12,7	14,3	17,5	19	22,2	23,8	23,8	254	
C		88,9	98,5	108	127	152,4	177,8	190,5	228,6	279,4	
D		60,3	69,9	79,4	98,4	120,6	139,7	152,4	190,5	241,3	
E		5/8"	5/8"	5/8"	5/8"	3/4"	3/4"	3/4"	3/4"	7/8"	
F		113	129,5	129,5	162	177	305	305	365	572	
G (Opened)		367	379	379	444	456	569	595	686	874	
H (Closed)		352	359	367	424	427	427	516	579	790	
Ø J Handwheel		80	106,5	106,5	106,5	106,5	200	200	250	700	
Weight (Kg)		2,4	3,8	5,0	8,2	12,3	22,1	25,8	38,1	113,3	
CV (gal/Min)		3,99	7,04	13,7	23,9	41,6	64,4	92,48	164	369	

		300 LBS CLASS FLANGE									
DN	pol.	15	20	25	40	50	65	80	100	150	
	C	1/2"	3/4"	1"	1.1/2"	2"	2.1/2"	3"	4"	6"	
Code		03	04	05	07	08	09	10	11	12	
A		152	177,8	203,2	228,6	266,7	292	317,5	355,6	444,5	
B		14,3	15,9	17,5	20,6	22,2	25,4	28,6	318	36,5	
C		95,2	117,5	123,8	155,6	165,1	190,5	209,5	254	317,5	
D		60,3	82,5	88,9	114,3	127	149,2	168,3	200	269,9	
E		5/8"	3/4"	3/4"	7/8"	3/4"	7/8"	7/8"	7/8"	7/8"	
F		113	129,5	129,5	162	177	305	319	365	572	
G (Opened)		367	379	379	444	456	569	576	686	874	
H (Closed)		352	359	367	424	427	427	516	579	790	
Ø J Handwheel		80	106,5	106,5	106,5	106,5	200	200	250	700	
Weight (Kg)		3,1	5,6	6,5	11,0	14,3	25,1	32,3	519	135,2	
CV (gal/Min)		3,99	7,04	11,37	23,9	41,60	64,4	92,48	164,00	369,00	

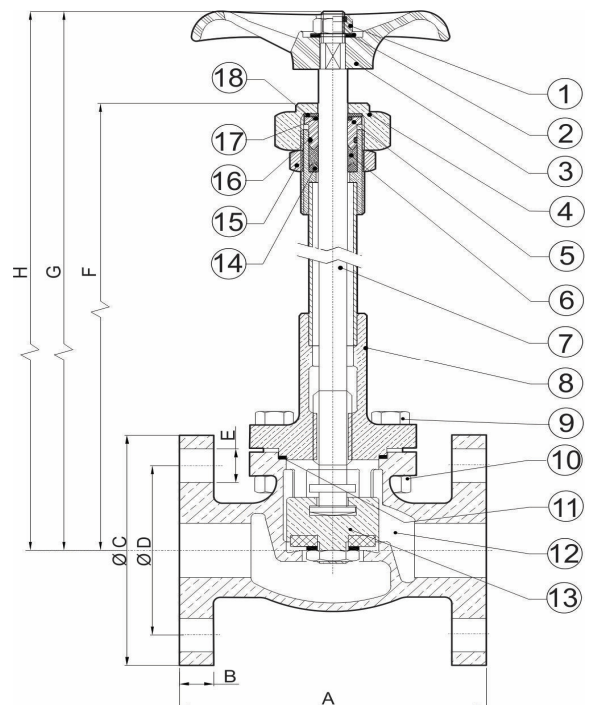
		600 LBS CLASS FLANGE	
DN	pol.	150	
C		6"	
Code		12	
A		558	
B		53,95	
C		355,6	
D		292,1	
E		1,18/"	
F		572	
G (Opened)		874	
H (Closed)		790	
Ø J Handwheel		80	
Weight (Kg)		149,6	
CV (gal/Min)		3,99	

DIMENSIONAL TABLE (K. M.)

Connection Table (L. N.)		
Flanges LBS	Code	Standard
150 FLAT	12	ANSI B16 ANSIB16.10 MSS-SP - 80
150 FLAT CAM	13	
150 CAM AND CONCENTRIC SLOT	33	
150 FLAT CONCENTRIC SLOT	34	
300 FLAT	14	
300 FLAT CAM	15	
300 CAM AND CONCENTRIC SLOT	35	
300 FLAT CONCENTRIC SLOT	36	
600 FLAT	16	
600 FLAT CAM	17	
600 CAM AND CONCENTRIC SLOT	37	
600 FLAT CONCENTRIC SLOT	38	

Seal Table (O.)		
Descrição	Cod.	Norma
PTFE + 25% FIBER GLASS	4	N/A
PTFE + 25% CARBON	5	

Posição	DENOMINAÇÃO	MATERIAL
1	HEX NUT	BRASS UNS 26800
2	WASHER	STAINLESS STEEL AISI 304
3	HANDWHEEL	ALUMINUM SAE 306
4	PREMI NUT	BRASS UNS C36000
5	PREMI GASKET	BRASS UNS C36000
6	GASKET	PTFE ASTM D-1430-03
7	STEM	STAINLESS STEEL AISI 304
8	LONG HEAD	ACCORDING TO SPECS
9	HEX SCREW	STAINLESS STEEL AISI 304
10	HEX NUT	BRASS ASTM B-283
11	GARNISH	PTFE ASTM D-1430-03
12	BODY	BRONZE UNS C93700
13	SEAL	ACCORDING TO SPECS
14	WASHER	BRASS UNS C36000
15	NUT COUNT	BRASS UNS C36000
16	O'RING	FKM
17	O'RING	FKM
18	PRESSURE DISC	BRASS UNS C36000



Standard products table. For more information or customized specs, please contact us